

# Sicuro CC4 and CC2

## Sicuro Classic

### Tube formed guardrail

### Installation manual



Installer:

**Vik:**  
6893 Vik i Sogn

**Tlf: +47 57 69 86 50**  
Faks: +47 57 69 86 60  
[firmapost@vikorsta.no](mailto:firmapost@vikorsta.no)

**Ørsta:**  
Skorgeura  
6150 Ørsta

**Tlf: +47 70 04 70 00**  
Faks: +47 70 04 70 04  
[firmapost@vikorsta.no](mailto:firmapost@vikorsta.no)

## Index

1. Important .....	3
2. Description.....	3
3. Level of performance.....	3
4. Installing.....	3
4.1 Soil and placement .....	3
4.2 Installing the posts .....	3
4.3 Installing the profiles.....	3
4.4 After installation.....	4
5. Maintenance .....	4
5.1 Cleaning .....	4
6. Bolts and fasteners .....	4
7. Marking .....	5
8. Drawings.....	6

Copyright ©, Vik Ørsta A/S

All right reserved. No part of this book may be reproduced or transmitted in any form or by any means, digital or permission in writing by Vik Ørsta A/S.

All statements and technical information are based on results obtained under typical conditions. It is the responsibility of the recipient to clarify with us that the information is appropriate for the specific use intended by the recipient. Please check with our Customer Service for further information.

## 1. Important

Proper installation and repair is essential to ensure the systems maximum performance.

## 2. Description

The Sicuro CC4 and CC2 is a steel road restraint system that is designed to enhance safety on the roads.

The system has successfully been tested according to class N2 described in EN 1317-2.

The system is based on C-formed steel posts with post distance of 2 and 4 meters and longitudinal steel C-formed profiles.

In a collision the system is designed to lead the vehicle back on the road.

The bolts are an important part of the systems function and this manual should be read carefully before installation is started.

## 3. Level of performance

According to EN-1317

Post distance	Containment level	Working width	Dynamic deflection	Impact severity level
4 m	N2	2,0 m/W6	1,9 m	A
2 m	N2	1,27 m/W4	1,17 m	A

## 4. Installing

### 4.1 Soil and placement

The soil where the barrier is placed should be of sufficient quality to ensure the guardrails function.

The posts should bend and not break up true the soil or be pulled up when the barrier is hit.

### 4.2 Installing the posts

The posts should be installed with a distance of 2 or 4 meters.

The holes for the posts should normally be pre-drilled or pre-rammed before installing the post. They should be drilled to the correct level or deeper, to ensure that there is no need to ram the posts after they are placed.

After alignment and height adjustment, parts of the hole around the post should be filled with gravel to lock the post in the correct position.

### 4.3 Installing the profiles

The longitudinal profiles have draining holes, the profiles should be installed with these facing down. For details regarding connection between post to profile and profile to profile, see chapter 8. Drawings.

#### 4.4 After installation

When the guardrail is installed and adjusted, the holes around the post should be fully refilled.

### 5. Maintenance

There are no general inspections intervals for this guardrail itself. Inspections intervals have to be determined based on local factors such as volume of traffic, risk of damage, climate etc.

The guard rail should be inspected regularly and if displaced or damaged, it should be adjusted and repaired.

All damaged profiles should be replaced with new when repaired.

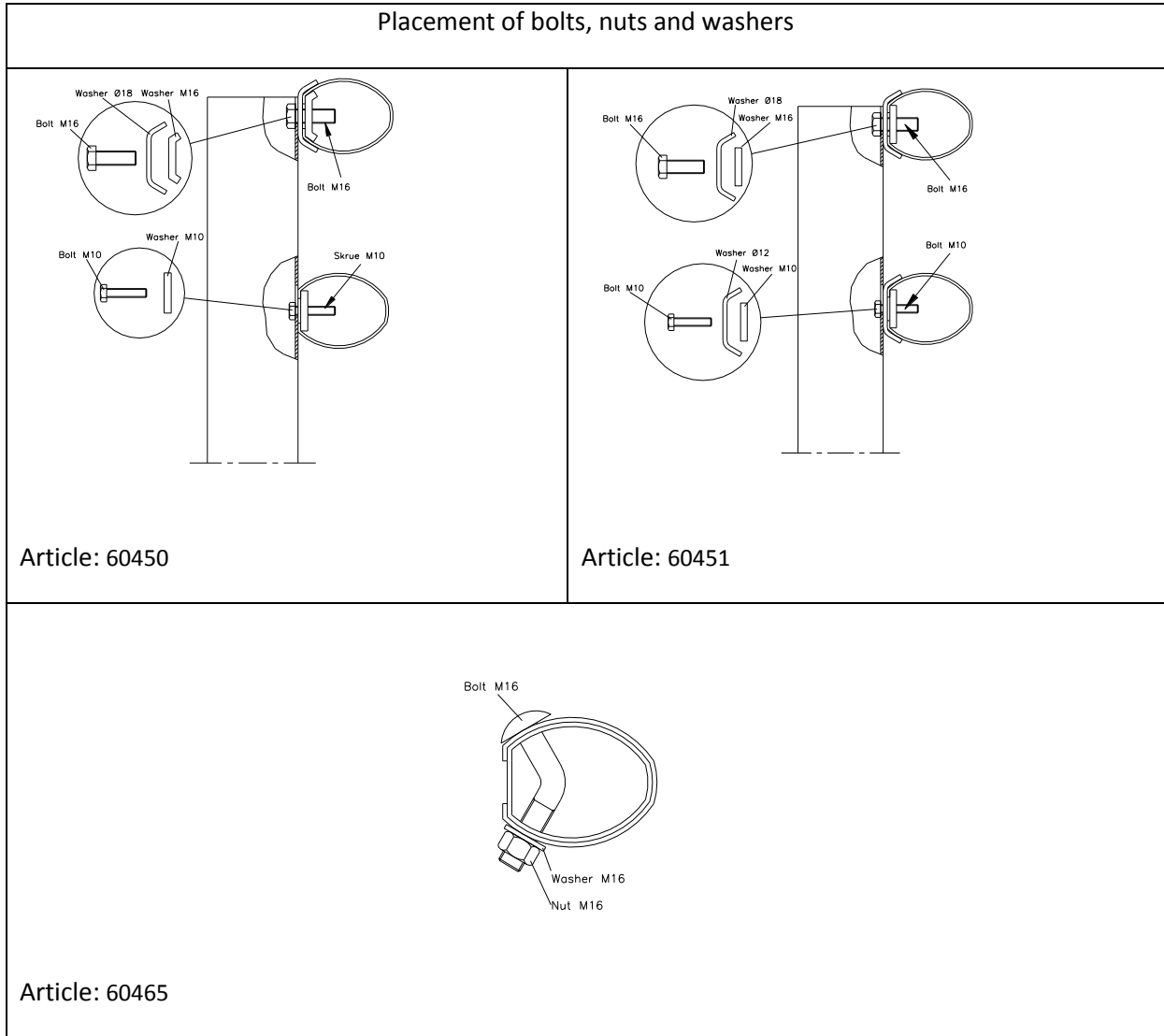
#### 5.1 Cleaning

Cleaning can be done with water and any type of Ph neutral detergent.

### 6. Bolts and fasteners

Art. nr.	Description	Amount
<b>60450</b>	<b>Fastening unit post/profile (hot dip galvanized)</b>	
	60458 Washer bend 83x60x5 Ø18	1
	60459 Washer bend 59x50x8 M16	1
	933316045 Bolt M16x45	1
	60642 Washer 17/30/3 M16	1
	933310045 Bolt M10x45	1
	60462 Washer 60x47x8 M10 MB02	1
	125310000 Washer M10	1
<b>60451</b>	<b>Fastening unit downlead (hot dip galvanized)</b>	
	60463 Washer bend 100x80x8	1
	60460H Washer 60x47x10 M16	1
	933316045 Bolt M16x45	1
	60642 Washer 17/30/3 M16	1
	933310045 Bolt M10x45	1
	60462 Washer 60x47x8 M10 MB02	1
	125310000 Washer M10	1
<b>60465</b>	<b>Connecting bolt (bend) M16 (hot dip galvanized)</b>	
	V-BR 4-M16 Bolt M16 bended	4
	60642 Washer M16	4
	60643 Nut M16	4

# Installation manual Sicuro CC4 and CC2



**Note:** Please check that all bolts/fasteners are placed correct and all bolts-washer-nuts-connections are normally/proper fastened/tighten.

## 7. Marking

If everything is done and installed according to this installation manual, the guardrail can be marked with the CE-mark. This mark shall be placed at the end (the starting end) of the installed guardrail.

8. Drawings

