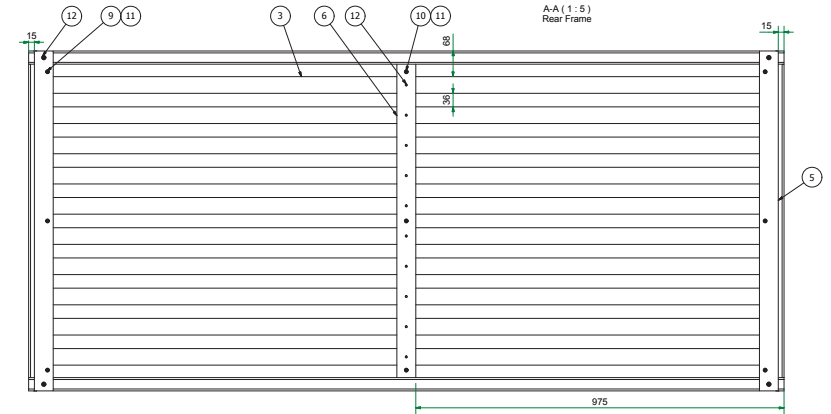
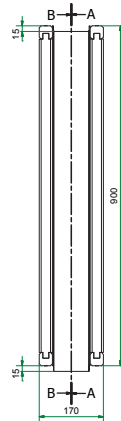
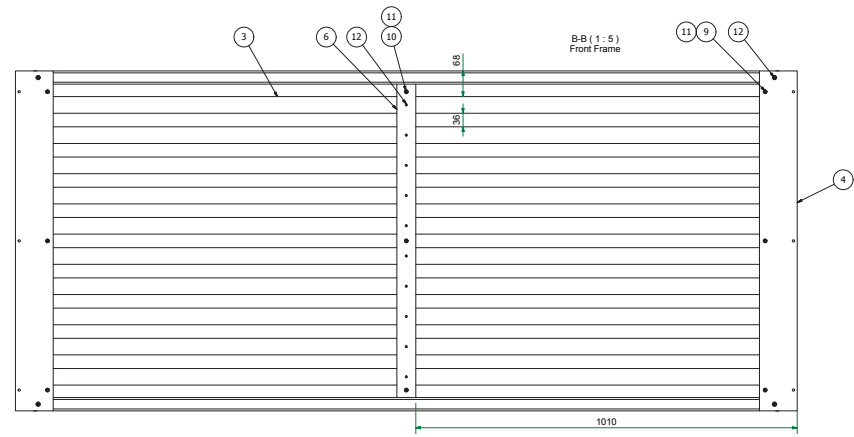
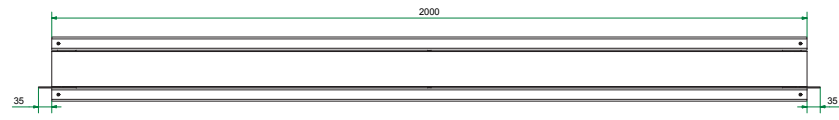


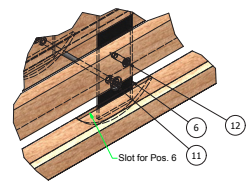
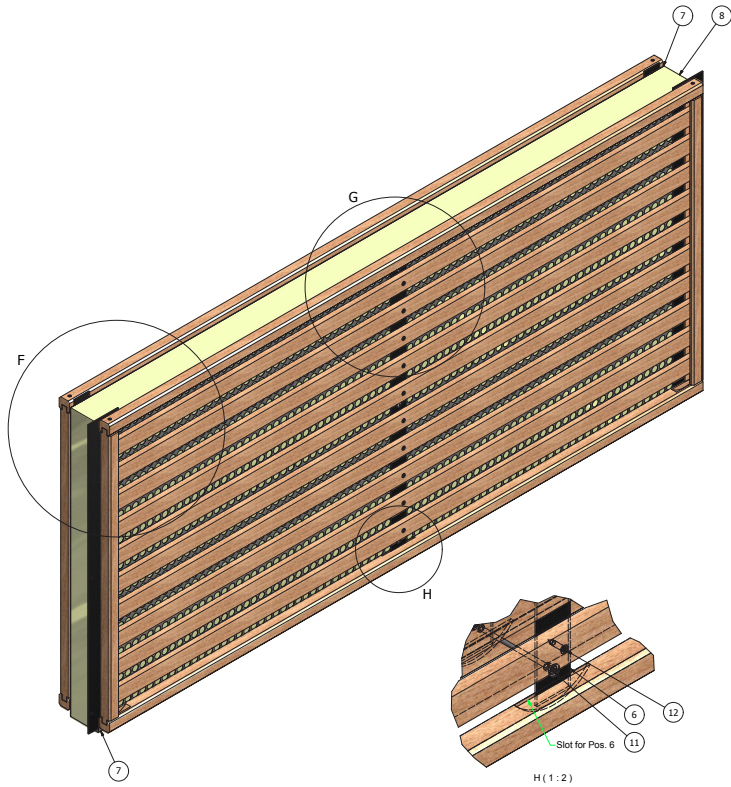
VIEW1 (1:5)



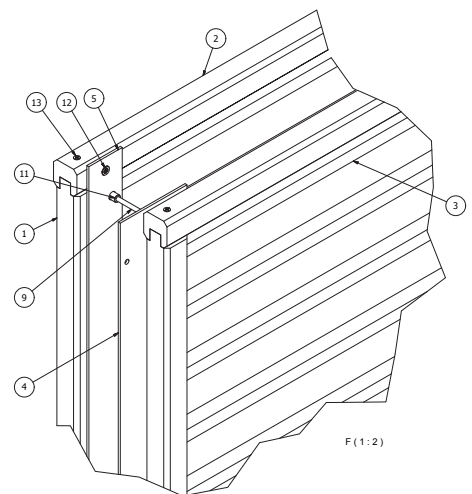
A-A (1:5)
Rear Frame



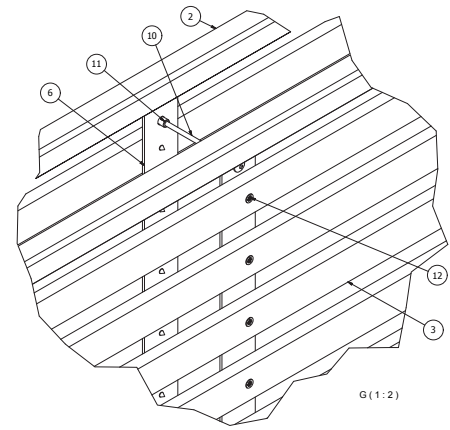
B-B (1:5)
Front Frame



H (1:2)



F (1:2)



G (1:2)



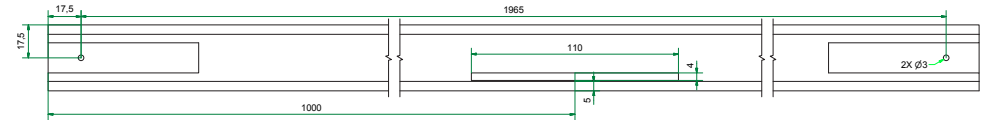
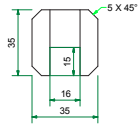
Assembly to be secured with glue.

POS	QTY	DESCRIPTION	MATERIAL	Weight
11	18	Black Hexagon Socket Button Head Nut M6x10mm	Steel	0
10	9	Galvanized Thread Bar M6x115mm	Steel	0
9	9	Galvanized Thread Bar M6x90mm	Steel	0
8	1	RocheWood Strip 2000x90x6mm	RocheWood	35
7	2	Polyethylene Netting 2000x900mm	Polyethylene	0,7
6	12	Flat Alu 50x3x900mm	Black Anodized Aluminum	0,3
5	2	Flat Alu 50x3x900mm	Black Anodized Aluminum	0,4
4	2	Flat Alu 100x2000mm	Black Anodized Aluminum	0,7
3	20	Impregnated Board 44x18x1900mm	Wood	0,9
2	4	Impregnated Lar 35x35x2000mm	Wood	3,3
1	4	Impregnated Lar 35x35x900mm	Wood	0,4

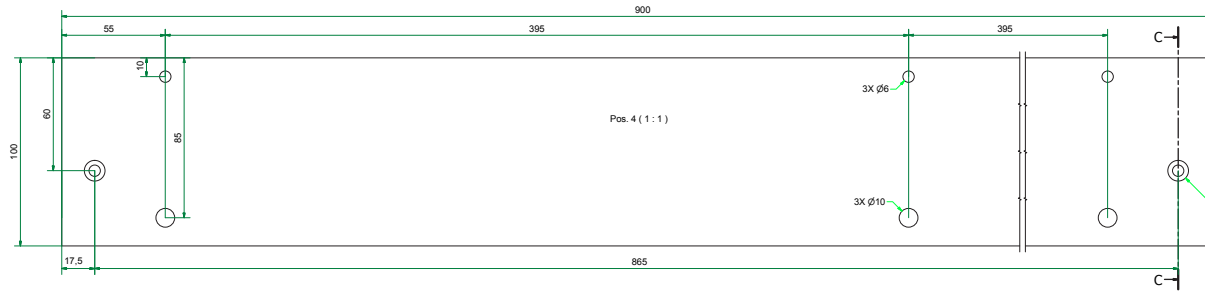
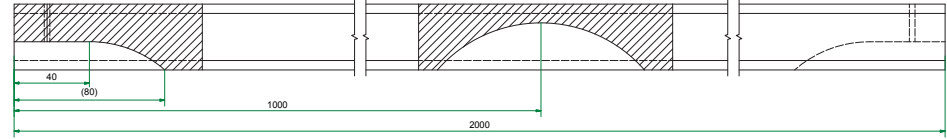
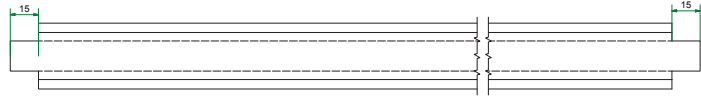
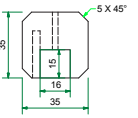
NoiStop
 NoiStop Wood element "Eba"
 noise fence against outdoor noise
 PAPER SIZE: A0
 SHEET 1 OF 2
 A0056-0050



Pos. 1 (1:1)

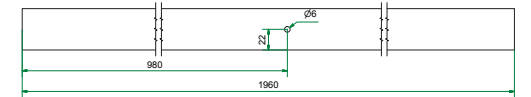
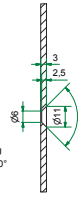


Pos. 2 (1:1)



Pos. 4 (1:1)

C-C (1:1)



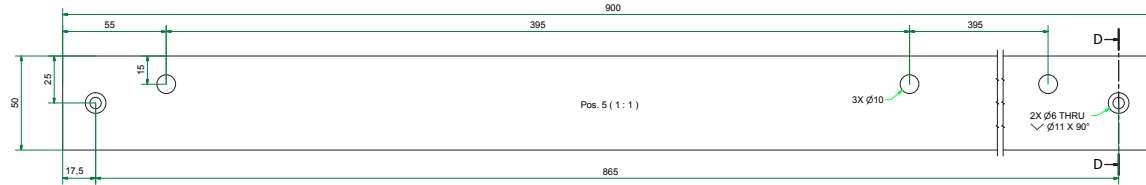
Pos. 3 (1:2)



Pos. 9 (2:1)

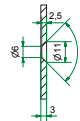


Pos. 10 (2:1)



Pos. 5 (1:1)

D-D (1:1)



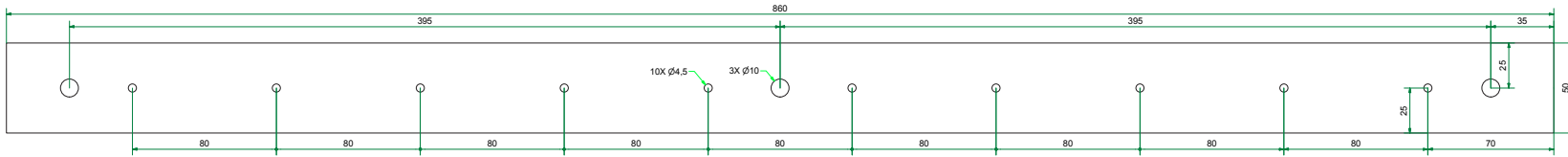
Pos. 13 (2:1)



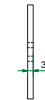
Pos. 11 (2:1)



Pos. 12 (2:1)



Pos. 6 (1:1)



Product name	Code	Manufacturer	Version	Issue date	Scale
NoiStop		Confidential		16-10-2012	30 NO
NoiStop Wood element "Elba"					
Noise fence against outdoor noise					
PAPER SIZE: A0					
SHEET 2 OF 2					
A0066-0050					A